

Examples of LGD Feeding Stations

Bill Costanzo, AgriLife LGD Research Specialist II

LGD Spring Field Day 2022 – Ozona



bill.costanzo@ag.tamu.edu

325-657-7311

@TAMUlivestockguarddog

https://www.youtube.com/channel/UCF7YbP6bNDV7_6H8mifBA

<https://sanangelo.tamu.edu/research/lgd/>

There are a variety of feeding station designs available to feed your livestock guardian dogs (LGDs). Currently, there are no commercially available designs that we know of on the market. The examples on the next few pages are ideas we have collected for producers to use as possible ideas for their own operations. They are just a few of the possible designs for producers to choose from that are being used across Texas and the US.

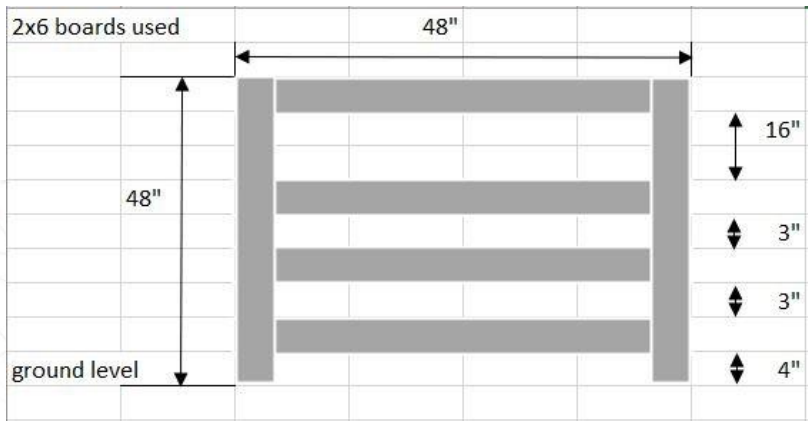
We are currently conducting research on types of doors, feeders and feeding station designs that work to reduce feed costs from non-target consumption and maintain adequate health of working LGDs. If you have any questions or if you would like to participate in a LGD research project, please contact us at 325-653-4576.

Improved Self Feeder 50lb size

- Extra rivets reinforce the back panel
- Fender washers to prevent bolts from pulling out
- Locking nuts to prevent bolts from loosening
- Hasp with chain and clip
- Handles on sides
- Hooks on rear

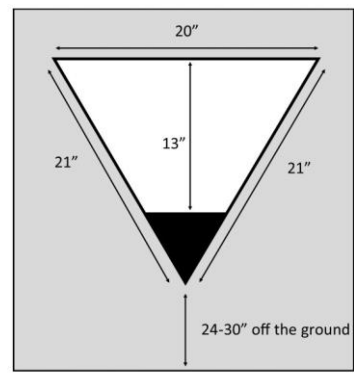


Jump Panel Entrance Examples



TEXAS A&M
AGRI LIFE

Triangle Jump Panel in Wire Mesh



Ground

Basic Jump Panel Feeding Station



Make sure to assemble the jump panel with screws or bolts! Side panels are approximately 4' x 4', made from 1 1/4" X 1 1/4" x 1/8" square tubing.

TEXAS A&M
AGRI LIFE

AgriLife Feeding Station



- Station is 4'x6'x4' with 4"x2" welded mesh
- Frame is 1 1/2" x 1 1/2" x 3/16" Square tubing
- Top panel should be blocked off also with mesh
- Floor should be added to prevent digging

TEXAS A&M
AGRI LIFE

Alternate Feeding Stations Designs



TEXAS A&M
AGRI LIFE

Alternate Feeding Stations Designs Cont.

Producer claims that hogs and Javelinas will not step onto the metal roofing. Plywood is placed so dogs don't burn their paws. Used for both pups and adult dogs. 2x4's at the door base can be removed to allow pups to enter.



TEXAS A&M
AGRI LIFE

Portable Feeding Station

Gate is upside down for dogs to be able to crawl inside. Feeder is strapped to a hand truck.



TEXAS A&M
AGRI LIFE

Portable Feeding Station on Trailers



Water is provided for the dogs via a tank and troughs on each trailer.

TEXAS A&M
AGRI LIFE